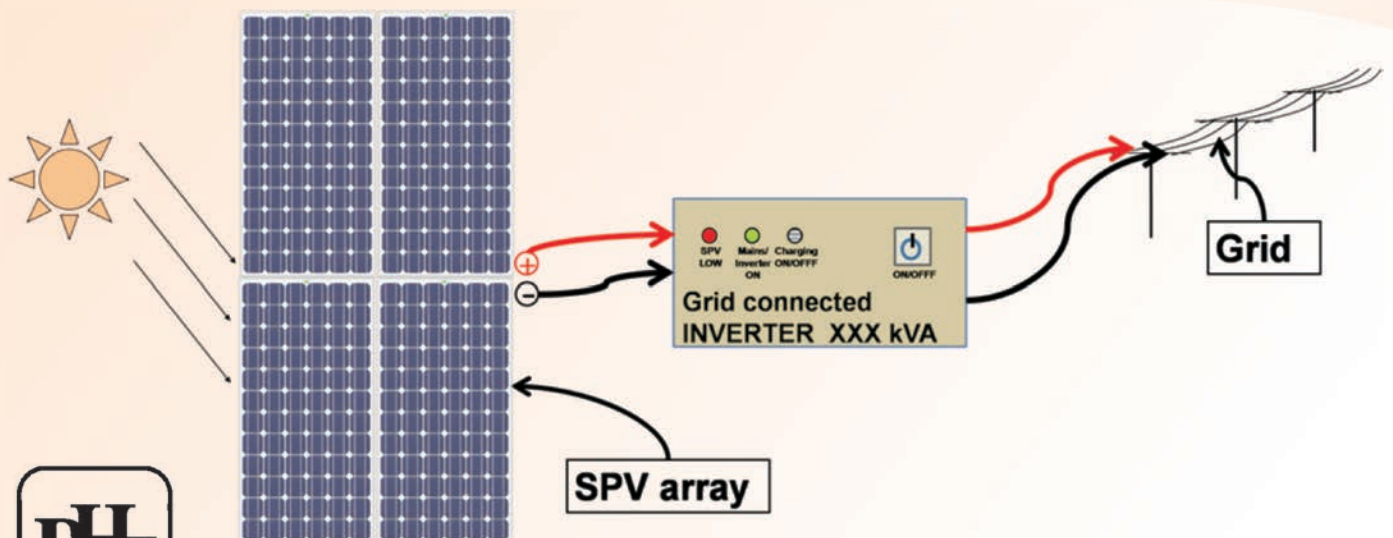
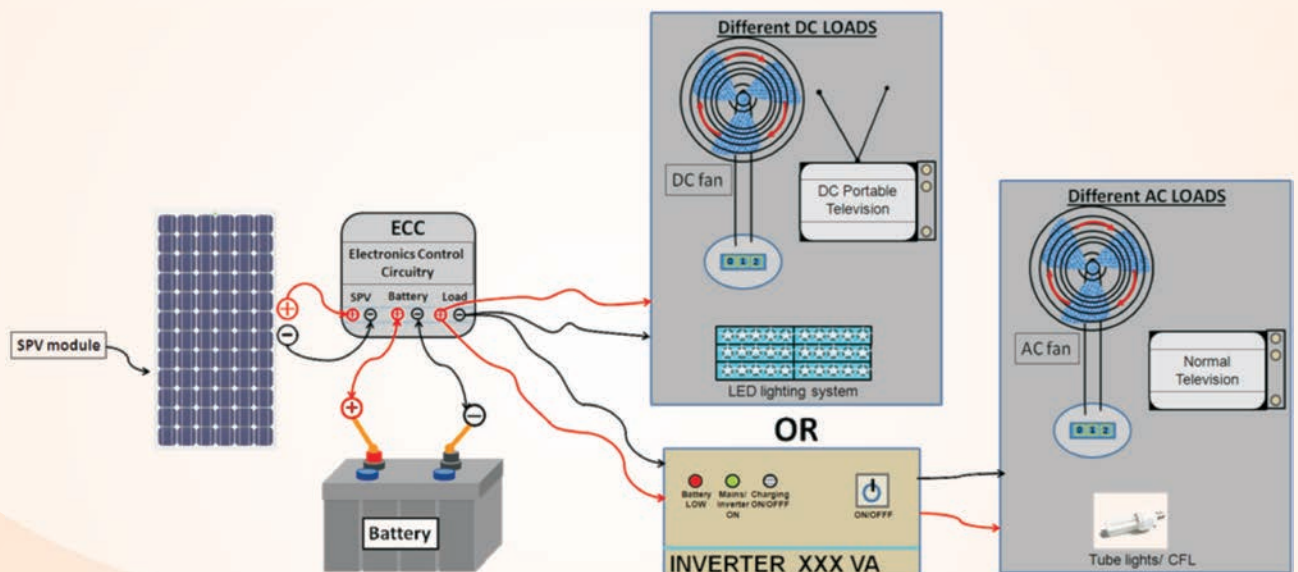


Solar Photovoltaic Technology and Systems

A Manual for Technicians, Trainers and Engineers



Chetan Singh Solanki

Solar Photovoltaic Technology and Systems

A Manual for Technicians, Trainers and Engineers

Chetan Singh Solanki

Associate Professor

Department of Energy Science and Engineering
Indian Institute of Technology Bombay

PHI Learning Private Limited

Delhi-110092

2013

SOLAR PHOTOVOLTAIC TECHNOLOGY AND SYSTEMS: A Manual for Technicians, Trainers and Engineers

Chetan Singh Solanki

© 2013 by PHI Learning Private Limited, Delhi. All rights reserved. No part of this book may be reproduced in any form, by mimeograph or any other means, without permission in writing from the publisher.

ISBN-978-81-203-4711-3

The export rights of this book are vested solely with the publisher.

Published by Asoke K. Ghosh, PHI Learning Private Limited, Rimjhim House, 111, Patparganj Industrial Estate, Delhi-110092 and Printed by Rajkamal Electric Press, Plot No. 2, Phase IV, HSIDC, Kundli-131028, Sonapat, Haryana.

To

Ministry of New and Renewable Energy (MNRE), Govt. of India
for its efforts to promote solar PV installations in India



Contents

Preface xi

Acknowledgements xiii

1. Basics of Electricity	1–20
1.1 Introduction to Electricity	1
1.2 Voltage	3
1.3 Current	3
1.4 Danger with High Voltage and Current Levels	4
1.5 Resistance to Electrical Current	5
1.6 Electric Power	5
1.7 Electrical Energy	7
1.8 DC Power and AC Power	9
1.8.1 DC Power	9
1.8.2 AC Power	10
1.9 Measurements of Electrical Quantities	13
1.9.1 What is a Multimeter?	13
1.9.2 Use of Multimeter	14
1.9.3 Measurement of DC Voltage	14
1.9.4 Measurement of AC Voltage	15
1.9.5 Measurement of DC Current	15
1.9.6 Measurement of AC Current	17
1.9.7 Measurement of Resistance	17
1.9.8 Measurement of Electrical Power	18
1.9.9 Measurement of Electrical Energy	19
2. Introduction to Energy and Solar Photovoltaic Energy	21–38
2.1 Basic Concepts about Energy and Its Use	22
2.1.1 What is Energy?	22
2.1.2 Forms of Energy	22
2.1.3 Renewable Energy and Non-renewable Energy Sources	23
2.1.4 Amount of Available Solar Radiation Energy	23
2.1.5 Energy and Its Units	24
2.1.6 Power and Its Units	27

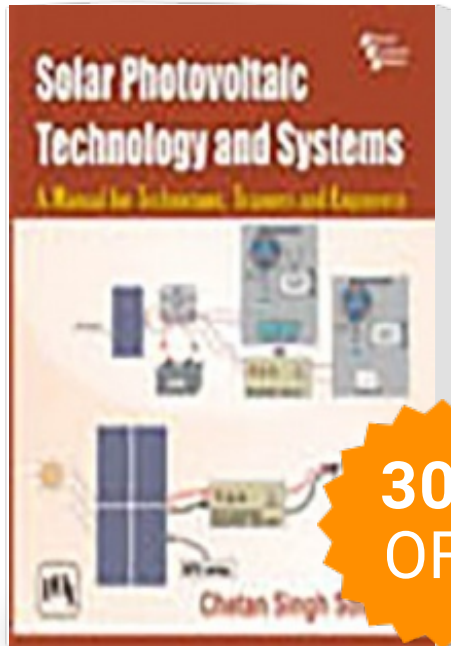
2.2	Estimating Energy Requirement	28
2.2.1	Daily Energy Consumption	29
2.2.2	Monthly Energy Consumption and Electricity Bill	30
2.3	Energy from Solar Photovoltaic (PV) Conversion	31
2.3.1	Solar PV Modules	31
2.3.2	Solar PV Systems	33
2.3.3	Advantages and Challenges of Solar Photovoltaic Energy Conversion	35
2.4	Other Renewable Energy Technologies	36
2.4.1	Solar Thermal Energy	36
2.4.2	Wind Energy	37
2.4.3	Biomass Energy	37
2.4.4	Hydro Energy	38
2.4.5	Geothermal Energy	38
	References	38
3.	Solar Cells	39–56
3.1	How Solar Cells are Better than any Conventional Sources of Electricity?	39
3.2	What is a Solar Cell?	40
3.3	How Solar Cell Generates Electricity?	41
3.4	Parameters of Solar Cells	41
3.5	Solar Cell Technologies	48
3.6	Factors Affecting Electricity Generated by a Solar Cell	49
3.6.1	Effect of Conversion Efficiency (η)	49
3.6.2	Change in the Amount of Input Light (P_{in})	51
3.6.3	Change in Solar Cell Area (A)	52
3.6.4	Change in Angle of Light Falling on Solar Cell (θ)	53
3.6.5	Change in Solar Cell Operating Temperature (T)	54
4.	Solar PV Modules	57–88
4.1	What is a Solar PV Module?	57
4.2	Ratings of PV Module	58
4.3	Standard PV Module Parameters	59
4.3.1	I - V and P - V Characteristic of SPV Module	59
4.3.2	How Many Cells in Module?	64
4.3.3	Estimating or Designing Wattage of a PV Module	68
4.4	Factors Affecting Electricity Generated by a Solar PV Module	71
4.4.1	Effect of Conversion Efficiency (η)	71
4.4.2	Change in the Amount of Input Light (P_{in})	73
4.4.3	Effect of Change in PV Module Temperature	75
4.4.4	Change in PV Module Area (A)	78
4.4.5	Change in Angle of Light Falling on PV Module (θ)	80
4.5	Measuring Module Parameters	80
4.5.1	Measuring V_{oc} and I_{sc}	80
4.5.2	Higher Wattage Modules	83
5.	Solar PV Module Arrays	89–119
5.1	Connection of Modules in Series	91
5.1.1	Estimating Number of PV Modules Required in Series and Their Total Power	92
5.1.2	Mismatch in Voltage in Series Connected PV Modules	99
5.1.3	Mismatch in Current in Series Connected PV Modules	99

5.2	Connection of Modules in Parallel Combination	100
5.2.1	Power Generated by Parallel Connected PV Modules	101
5.2.2	Estimating the Number of PV Modules to be Connected in Parallel and Their Total Power	102
5.2.3	Mismatch in Module Voltages Connected in Parallel	108
5.3	Connection of Modules in Series and Parallel (Mixed Combination)	108
5.3.1	Estimation Number of Modules to be Connected in Series and Parallel and Their Total Power	110
6.	Basics of Batteries	120–142
6.1	Some Basics about Batteries	120
6.1.1	Rechargeable Batteries	121
6.2	How Does a Battery Work?	121
6.2.1	Charging and Discharging of Batteries	122
6.2.2	Components of a Battery Cell	122
6.3	Types of Batteries	123
6.3.1	Non-rechargeable Batteries	123
6.3.2	Rechargeable Batteries (Secondary Battery)	123
6.4	Parameters of Batteries	124
6.4.1	Battery Terminal Voltage (V)	125
6.4.2	Battery Open Circuit Voltage and Terminal Voltage	125
6.4.3	Terminologies for Battery Terminal Voltage	126
6.4.4	Battery Storage Capacity (C)	127
6.4.5	State of Charge (SoC) and Depth of Discharge (DoD)	129
6.4.6	Charging/Discharging Rate or C-rating	132
6.4.7	Battery Efficiency	134
6.4.8	Operating Temperature	135
6.4.9	Life Cycle	135
6.4.10	Self Discharge/Shelf Life	136
6.5	Comparison of Various Rechargeable Batteries	137
6.6	How to Select a Battery?	137
6.6.1	Types of Battery	137
6.6.2	Voltage and Current	137
6.6.3	Temperature Requirement	137
6.6.4	Shelf Life	138
6.6.5	Charge-Discharge Cycle (If Rechargeable)	138
6.6.6	Cost	138
6.6.7	Availability	138
6.7	Batteries for Photovoltaic (PV) Systems	138
6.7.1	Liquid Vented	138
6.7.2	Sealed or VRLA (Valve Regulated Lead-acid)	139
6.8	Design of Lead-acid Batteries	139
6.8.1	How Battery is Constructed?	140
7.	Applications of Batteries in Solar PV Systems	143–167
7.1	Why to Connect Batteries Together?	143
7.1.1	Series Connection of Batteries	144
7.2	Estimating Number of Batteries Required in Series	145
7.3	Estimating Total Energy Stored in Series Connected Battery Array	146
7.4	Estimating Maximum Power from Series Connected Batteries	147
7.5	Parallel Connection	147

7.6	Estimating Number of Batteries Required in Parallel	149
7.7	Estimating Total Energy Stored in Array of Batteries Connected in Parallel	151
7.8	Estimating Power for Parallel Connected Batteries	151
7.9	Mixed Connection	152
7.10	Estimating Number of Batteries to be Connected in Mixed Connection	152
7.11	Battery Bank Installation and Commissioning	157
7.12	New Battery Bank Installation and Commissioning Work	157
7.13	Inspection	158
7.14	Battery Diagnosis	158
7.15	Battery Capacity Test	159
7.16	Drain Testing with Ammeter In-Line	160
7.17	Battery Fault Detection	160
	7.17.1 Electrical Fault Detection	160
	7.17.2 Physical Faults Detection	162
	7.17.3 Chemical Fault Detection	162
	7.17.4 Charging and Discharging Methods for Battery	162
7.18	Physical Maintenance	163
	7.18.1 Cleaning the Contacts Terminals	163
	7.18.2 Specific Gravity Observation	163
	7.18.3 Charging and Discharging Cycle	164
7.19	Instruments Used for Maintenance	164
	7.19.1 Multimeter	164
	7.19.2 Battery Tester	164
	7.19.3 Battery Hydrometer	165
	7.19.4 Clamp Meter	165
7.20	Tools Required for Battery Maintenance	166
7.21	Safety Measures	166
7.22	Do's and Don'ts for Batteries	167
8.	Charge Controller, MPPT and Inverters	168–187
8.1	Need for BoS	168
8.2	Power Converters and Their Efficiency	169
	8.2.1 Importance of Efficiency of Power Converters	171
8.3	AC to DC Converters	171
8.4	DC to AC Converter (Inverters)	172
	8.4.1 Types of Inverters	173
	8.4.2 Inverter Specifications	173
	8.4.3 Typical Inverter Specifications	175
	8.4.4 Troubleshooting	177
8.5	DC to DC Power Converters	177
8.6	Charge Controllers	179
	8.6.1 Function of a Charge Controller	179
	8.6.2 Working of Charge Controller	179
	8.6.3 Types of Charge Controllers	180
	8.6.4 Features of Charge Controller	180
	8.6.5 Typical Specifications of PWM Charge Controller	181
8.7	Maximum Power Point Tracking (MPPT)	183
	8.7.1 Power Output from a PV Module	183
	8.7.2 Need for Maximum Power Point Tracking?	184
	8.7.3 MPPT Charge Controller	184
	8.7.4 Specifications of MPPT Charge Controller	185

9. Wires	188–218
9.1 Introduction	188
9.1.1 Why Appropriate Choice of Wires is Important?	189
9.2 Basics of Current Conduction	189
9.2.1 Resistance and Resistivity	189
9.2.2 Voltage Drop in Wire When Current Flows: Ohm's Law	191
9.3 Type of Wires	192
9.3.1 Single-stranded and Multi-stranded Wire	192
9.3.2 Single-core and Multi-core Wire	193
9.4 Measurement of Wire Dimensions	194
9.4.1 Measuring Length of a Wire	194
9.4.2 Measuring Diameter of a Wire	194
9.5 Wire Sizing	197
9.5.1 Type of Wire	197
9.5.2 Length of Wire	197
9.5.3 Operating Current	197
9.5.4 Operating Voltage	199
9.5.5 Allowed Potential Drop	199
9.5.6 Effect of Temperature on Wire Selection	201
9.5.7 Wire Operating Temperature (Insulation Rating)	203
9.5.8 Wire Colour Codes	203
9.5.9 Required Wire Size Calculations	204
9.5.10 Other Specific Requirements	217
9.6 Junction Box	217
9.7 Checklist	218
10. Solar PV System Design and Integration	219–248
10.1 Types of Solar PV Systems	219
10.1.1 Standalone SPV System	220
10.1.2 Grid-connected SPV System	223
10.1.3 Hybrid SPV System	225
10.2 Design Methodology for SPV System	226
10.2.1 Approximate Design of Standalone System	227
10.2.2 Solar PV System Design Chart	245
10.2.3 Look Up Table for PV System Design	247
11. Grid-connected Solar PV Power Systems	249–284
11.1 Introduction to Grid-connected PV Systems	249
11.1.1 Grid-connected PV Systems for Small Power Applications	249
11.1.2 Grid-connected PV Systems for Large Power Applications	250
11.2 Configuration of Grid-connected Solar PV Systems	253
11.2.1 Grid-connected PV Systems without Battery Back-up	253
11.2.2 Grid-connected PV Systems with Battery Back-up	253
11.2.3 Grid-connected Solar PV Captive Power System	254
11.2.4 Grid Support Solar PV Power System	254
11.3 Components of Grid-connected Solar PV Systems	255
11.3.1 Solar PV Array	255
11.3.2 Array Combiner Box	259
11.3.3 DC Cabling	260
11.3.4 DC Distribution Box	260
11.3.5 Grid-connected Inverter	260
11.3.6 AC Cabling	263
11.3.7 AC Distribution Box	264

Solar Photovoltaic Technology And Systems - A Manual For Technicians, Trainers And Engineers



Publisher : **PHI Learning**

ISBN : 9788120347113

Author : **SOLANKI, CHETAN SINGH**

Type the URL : <http://www.kopykitab.com/product/7549>



Get this eBook