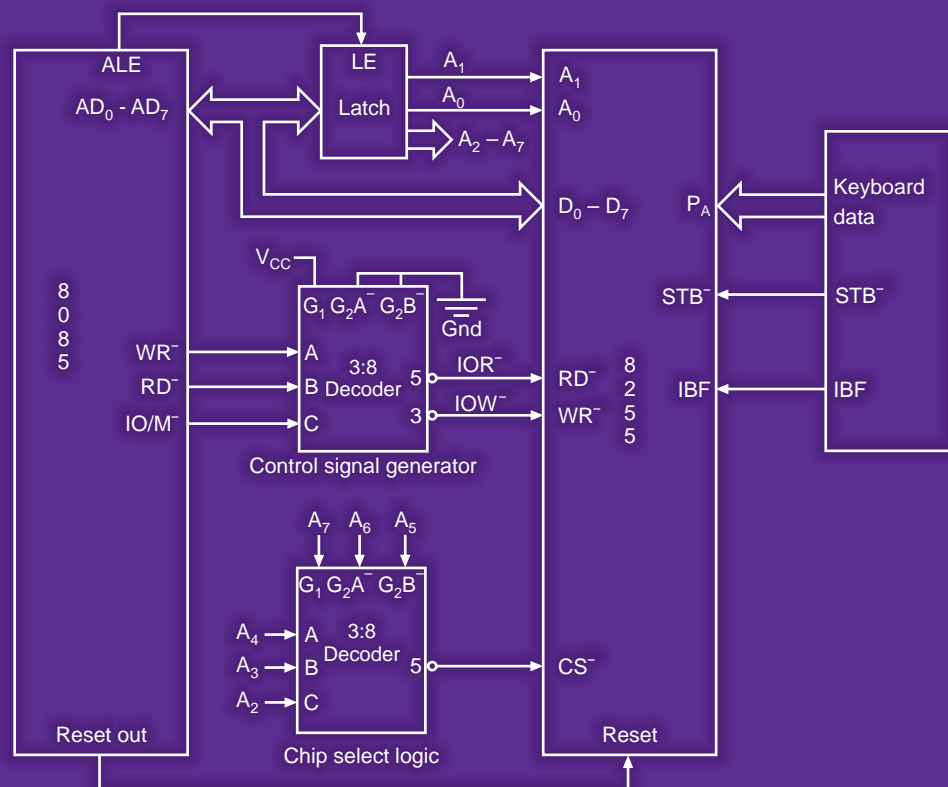


Second Edition

Eastern  
Economy  
Edition

# MICROPROCESSOR 8085 AND ITS INTERFACING



SUNIL MATHUR

# Microprocessor 8085 and Its Interfacing



# **Microprocessor 8085 and Its Interfacing**

**Second Edition**

**SUNIL MATHUR**

Assistant Professor  
Maharaja Agrasen Institute of Technology  
Delhi

**PHI Learning** Private Limited

New Delhi-110001  
2011

**MICROPROCESSOR 8085 AND ITS INTERFACING, Second Edition**  
Sunil Mathur

© 2011 by PHI Learning Private Limited, New Delhi. All rights reserved. No part of this book may be reproduced in any form, by mimeograph or any other means, without permission in writing from the publisher.

**ISBN-978-81-203-4390-0**

The export rights of this book are vested solely with the publisher.

**Second Printing (Second Edition)**     ...     ...     ...     **September, 2011**

Published by Asoke K. Ghosh, PHI Learning Private Limited, M-97, Connaught Circus, New Delhi-110001 and Printed by Rajkamal Electric Press, Plot No. 2, Phase IV, HSIDC, Kundli-131028, Sonapat, Haryana.

To  
*the memory of my beloved father*  
*Late Sh. Raj Singh Mathur*



# Contents

---

<i>Preface</i>	<i>xxi</i>
<i>Preface to the First Edition</i>	<i>xxiii</i>
<i>Acknowledgements</i>	<i>xxv</i>

## Part I

---

<b>1. Number System</b>	<b>3–18</b>
<i>Introduction</i>	3
1.1 Analog and Digital Signals	4
1.1.1 Analog Signal	4
1.1.2 Digital Signals	4
1.1.3 The Difference between Analog and Digital System	5
1.2 Number Systems	5
1.2.1 Decimal Number System	6
1.2.2 Binary Number System	7
1.2.3 Hexadecimal System	8
1.3 Two's Complement Representation of Binary Numbers	9
1.4 Binary Codes	10
1.4.1 Numeric Codes	10
1.4.2 Alphanumeric Codes	12
1.5 Type of Operations	12
1.5.1 Logical Operations	12
1.5.2 Arithmetic Operations	15
<i>Exercises</i>	15
<i>Multiple Choice Questions</i>	16

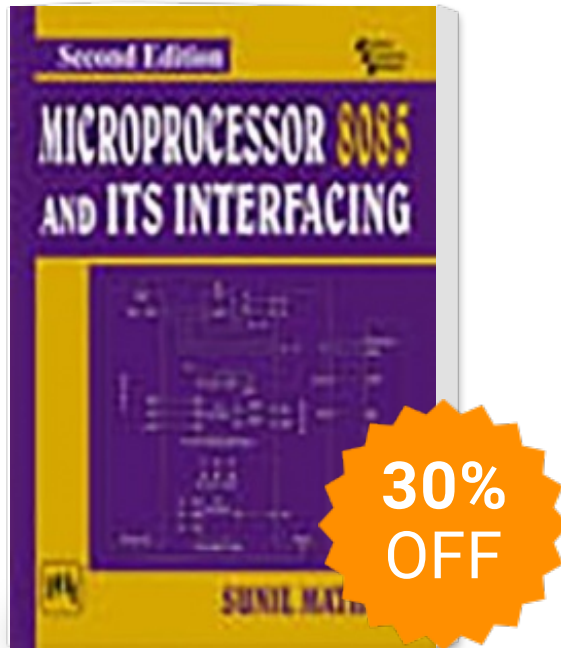
---

<b>2. Architecture and Organization of Microcomputer</b>	<b>19–34</b>
<i>Introduction</i>	19
2.1 Computer	19
2.1.1 Analog Computer	20
2.1.2 Digital Computer	20
2.2 Five Generations of Computers	20
2.2.1 First Generation (1940–1956): Vacuum Tubes	20
2.2.2 Second Generation (1956–1963): Transistors	20
2.2.3 Third Generation (1964–1971): Integrated Circuits	21
2.2.4 Fourth Generation (1971–Present): Microprocessors	21
2.2.5 Fifth Generation (Present and Beyond): Artificial Intelligence	21
2.3 Computer Sizes and Power	22
2.3.1 Supercomputer and Mainframe	22
2.3.2 Minicomputer	22
2.3.3 Workstation	23
2.3.4 Personal Computer	23
2.4 Computer Languages	25
2.4.1 Low Level Language	26
2.4.2 High Level Language	26
2.5 Evolution of Microprocessor	26
2.6 Functional Block Diagram of a Microcomputer	29
2.6.1 Microprocessor	29
2.6.2 I/O Interface	30
2.6.3 RAM	30
2.6.4 ROM	30
2.6.5 Bus System	30
<i>Exercises</i>	31
<i>Multiple Choice Questions</i>	32
<b>3 Architecture and Organization of Microprocessor</b>	<b>35–58</b>
<i>Introduction</i>	35
3.1 Microcomputer System	35
3.1.1 Arithmetic and Logic Unit	36
3.1.2 Register Unit	36
3.1.3 Control Unit	36
3.1.4 Memory	36
3.1.5 System Bus	36
3.2 Microprocessor Operations	36
3.2.1 Microprocessor Initiated Operations	37
3.2.2 Internal Data Operations	37
3.2.3 Peripheral or Externally Initiated Operations	39
3.3 8085 Functional Description	40
3.4 Internal Architecture of 80855	41
3.4.1 Register Unit	41
3.4.2 Control Unit	44
3.4.3 Arithmetic and Logical Unit	44
3.5 8085 System Bus	46

---

3.6	8085 Pin description	46	
3.6.1	Group 1: Power Supply and Frequency Signals	47	
3.6.2	Group 2: Higher Order Address Bus (Output) ( $A_8$ – $A_{15}$ )	48	
3.6.3	Group 3: Multiplexed Address/Data Bus ( $AD_0$ – $AD_7$ )	48	
3.6.4	Group 4: Control and Status Signal	48	
3.6.5	Group 5: Serial IO Signal	49	
3.6.6	Group 6: Externally or Peripheral Initiated Signals	50	
3.7	Demultiplexing of $Ad_0$ – $Ad_7$	52	
3.8	Generation of Control Signals	53	
3.9	How a Program is Executed	54	
	<i>Exercises</i>	55	
	<i>Multiple Choice Questions</i>	56	
<b>4.</b>	<b>Instruction Set of 8085 Microprocessor</b>		<b>59–111</b>
	<i>Introduction</i>	59	
4.1	Instruction Format	60	
4.1.1	Instruction Word Size	60	
4.1.2	Opcode Format	61	
4.2	Addressing Modes of MP 8085	62	
4.2.1	Immediate Addressing	62	
4.2.2	Register Addressing	63	
4.2.3	Direct Addressing	63	
4.2.4	Register Indirect Addressing	64	
4.2.5	Implicit Addressing	64	
4.3	Timing Effects of Addressing Modes	64	
4.4	Instruction Set Classification	65	
4.4.1	Data Transfer (Copy) Operations	65	
4.4.2	Arithmetic Operations	66	
4.4.3	Logical Operations	66	
4.4.4	Branching Operations	67	
4.4.5	Machine-control Operations	67	
4.5	Data Transfer Instructions	67	
4.5.1	Arithmetic Instructions	78	
4.5.2	Logical Instructions	87	
4.5.3	Branching Instructions	96	
4.5.4	Machine Control Instructions	101	
4.6	Complete Instruction Opcodes	104	
	<i>Exercises</i>	107	
	<i>Multiple Choice Questions</i>	109	
<b>5.</b>	<b>Instruction Timing and Operation of 8085 Microprocessor</b>		<b>112–145</b>
	<i>Introduction</i>	112	
5.1	Instruction Cycle	112	
5.2	Basic State Transitions	114	
5.3	Introduction to Machine Cycles	114	
5.3.1	T-state	114	
5.3.2	Machine Cycle	115	
5.3.3	Instruction Cycle	115	

# Microprocessor 8085 And Its Interfacing



Publisher : PHI Learning

ISBN : 9788120343900

Author : MATHUR, SUNIL

Type the URL : <http://www.kopykitab.com/product/7490>



Get this eBook